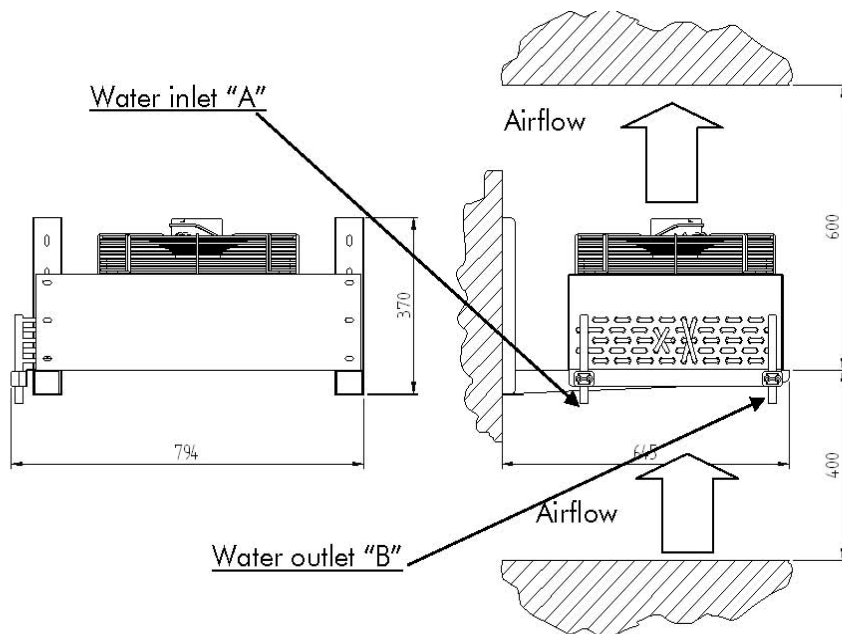
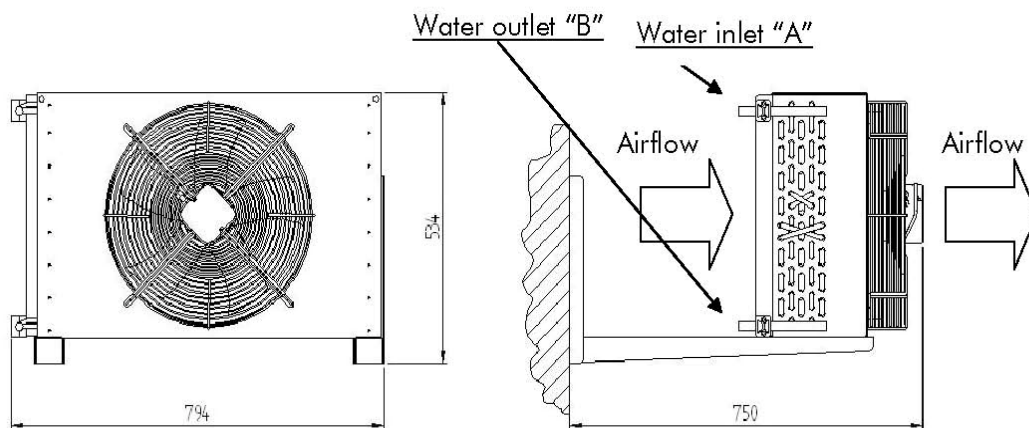


All dimensions in millimetres



Remote Condenser Wall Mounting Option 1



Remote Condenser Wall Mounting Option 2

**Remote condenser to be positioned as follows:**

Within 25 metres horizontally & 5 metres vertically of the Refrigeration System Panel.

In a cool area and out of direct sunlight.

With no restriction to airflow (as shown in above drawings).

Weatherproof housing means it is suitable for outdoor location.

**NOTES!**

1. Mounting brackets are supplied with the condenser.
2. Approximate weight of condenser when fully charged with water = 75kg.
3. Condenser can be floor mounted on anti-vibration pads if wall mounting is not suitable.
4. For internal location, please note that air flow = 2900m<sup>3</sup>/hr & heat rejection = 3kW
5. For external location, please note that Ø75 hole through structural wall is to be provided by others.



**Rollesby Road, King's Lynn, Norfolk, PE30 4LS**  
**Tel 01553 698489 Fax 01553 772504**  
**E-mail sales@fostercoldstores.com**

Drawn: C.A.D.	Scale: N.T.S.	Date: 24/11/08	Issued for comment/approval
			Issued for manufacture
			Issued as installed layout
Contract: Standard Drawing			
Title: Commando 50 Remote Condenser Details			
Quote No.	Works Order No.	Drg. No. STD013	Rev. A